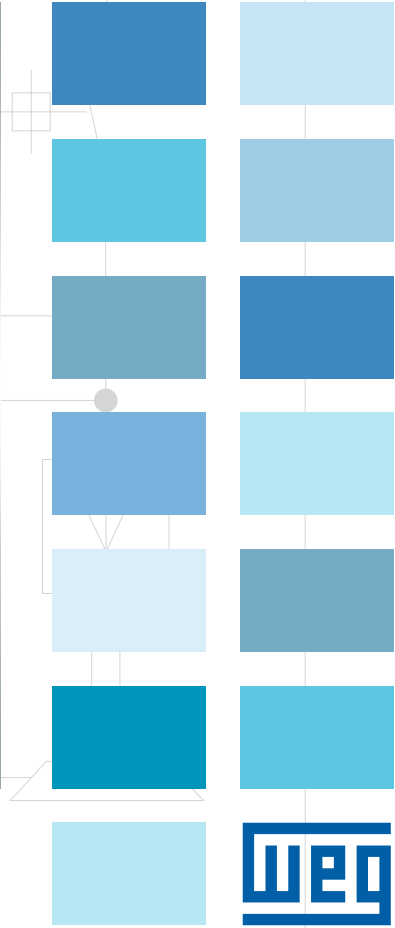
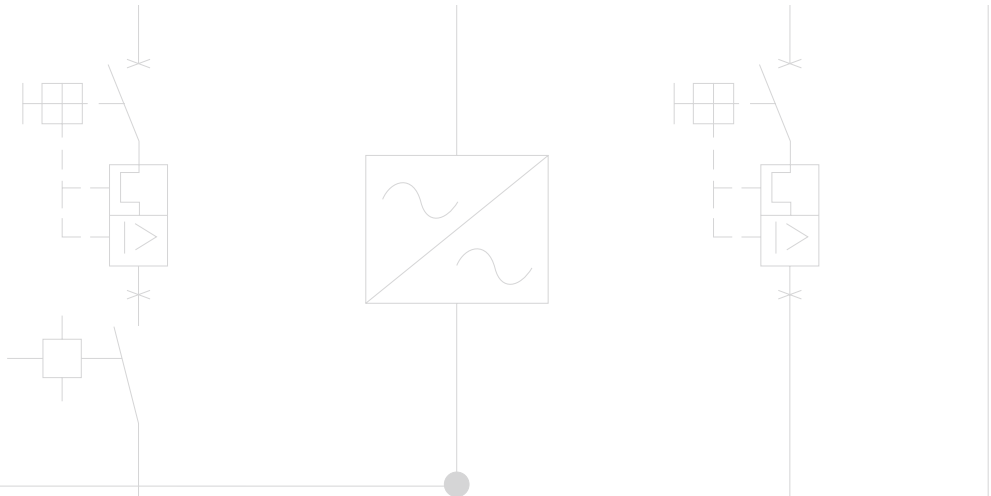


CFW10

Variable Speed Drive



VSD

VSDs are intended for speed control of three-phase induction motors in a wide variety of industrial applications. The WEG VSD series offers state-of-the-art technology in motor control with a modern design, great number of features, and easy installation and operation.

These products are designed with high-software optimization and are easily set through a simple Human-Machine Interface (keypad). Additionally, they comprise functions and resources that allow protection and control of electric motors an extremely easy and efficient way. They are suitable to operate with V/f or vector control.

CFW10

The CFW10 VSD line is designed for the control and speed variation of three-phase induction motors. CFW10 combines modern design with cutting-edge technology, and stands out for its small profile and easy programming. In addition, CFW10 is simple to install and operate, due to its built-in standard keypad.

Features

- V/f control
- IP20 finger-safe enclosure
- Single-phase 110-127 line voltage up to 0.75 kW / 1 hp
- Single-phase 200-240 line voltage up to 2.2 kW / 3 hp
- Three-phase 200-240 line voltage up to 4 kW / 5 hp
- 150% current overload capacity
- DSP controlled PWM output
- 2.5 - 15 kHz adjustable switching frequency
- Four isolated programmable digital inputs
- Programmable relay output
- One isolated programmable analog input
- Motor and VSD protections: overcurrent, motor overload, drive overtemperature, output short circuit, DC link over and undervoltage, and external fault
- Control features: linear and "S" acceleration and deceleration ramps, local/remote control, DC braking, torque boost, motor slip compensation, electronic pot, preset speeds, maximum and minimum adjustable frequency limits, adjustable output current limit, JOG function
- Display readings: motor speed, frequency, voltage, current, last fault, heatsink temperature and drive status
- Ambient: 50 °C (122 °F), 1,000 m (3,300 ft) altitude, 90% humidity, non-condensing.



Certifications

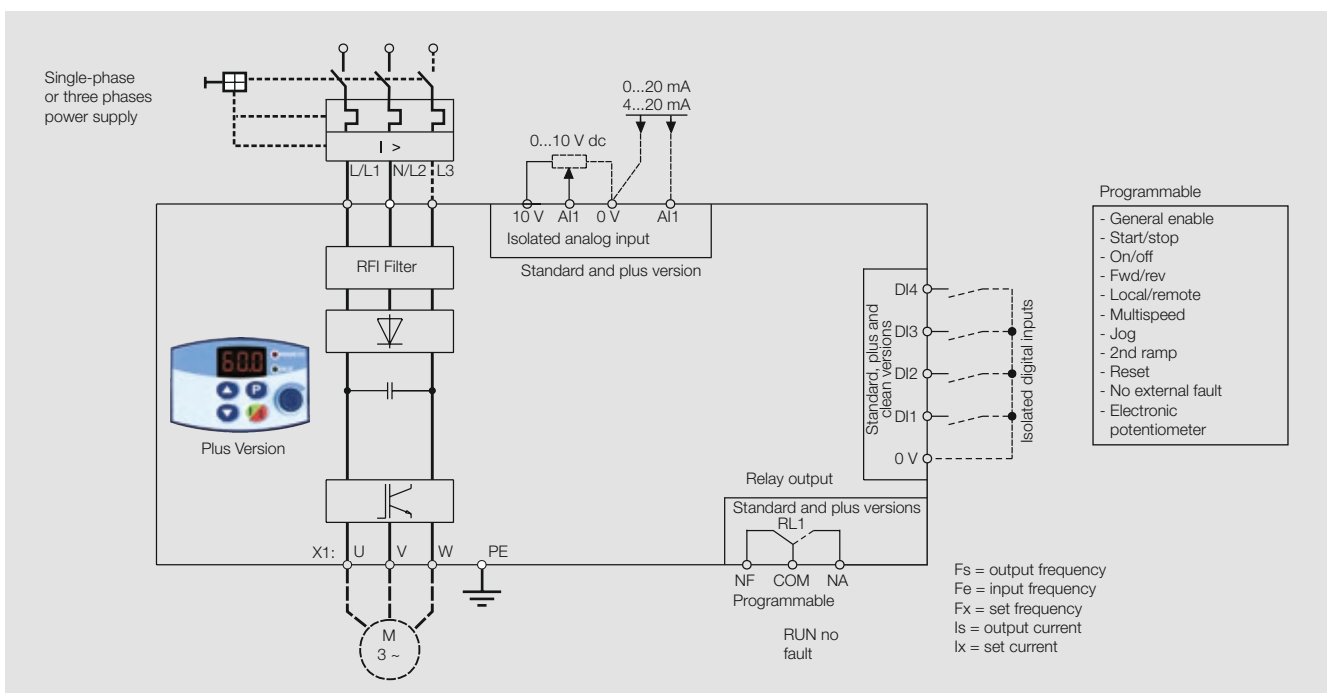


Applications

- Centrifugal pumps
- Processing pumps
- Fans / exhaust fans
- Stirrers / mixers
- Extruding machines
- Roller tables
- Driers
- Rotating filters
- Cutting machines
- Conveyors



Block Diagram



Drive Ratings

The correct way to select a VSD is matching its output current with the motor rated current. However, the table below presents the expected motor power for each VSD model.

Use the motor power ratings below only as a guidance. Motor rated currents may vary with speed and manufacturer. IEC motor powers are based on WEG 4-pole motors; NEMA motor powers are based on NEC table 430-150.

Motor Voltages Between 220 V and 230 V

Power supply		Model	Output current
			A
110-127 V	10	CFW100016S1112	1.6
		CFW100026S1112	2.6
		CFW100040S1112	4
220-230 V	10 / 30	CFW100016S2024	1.6
		CFW100026S2024	2.6
		CFW100040S2024	4
		CFW100073S2024	7.3
		CFW100100S2024	10
	30	CFW100016T2024	1.6
		CFW100026T2024	2.6
		CFW100040T2024	4
		CFW100073T2024	7.3
		CFW100100T2024	10
		CFW100152T2024	15.2

IEC	NEMA
50 Hz 220 V 230 V	60 Hz 230 V
kW	HP
0.25	-
0.55	0.5
0.75	0.75
0.25	-
0.55	0.5
0.75	0.75
1.5	2
2.2	3
0.25	-
0.55	0.5
0.75	0.75
1.5	2
2.2	3
4	5

“Cold Plate” - Drive Ratings

Power supply voltage	CFW10 cold plate				Maximum applicable motor			Frame size	Dimensions mm (in)			Weight kg (lb)
	Number of phases	Model	In output (A)	Braking transistor	Voltage (V)	Power rating			H	W	D	
						kW	HP					
110-127 V	Single phase	CFW100016S1112E0CPZ	1.6		230	0.18	0.25	1	132 (5.2)	100 (3.9)	82 (3.2)	0.7 (1.5)
		CFW100026S1112E0CPZ	2.6			0.37	0.5	1				1.0 (2.2)
CFW100040S1112E0CPZ		4.0		0.75		1	2	161 (6.3)	120 (4.7)	0.7 (1.5)		
CFW100016S2024E0CPZ		1.6		0.18		0.25	1	132 (5.2)	100 (3.9)	1.0 (2.2)		
CFW100026S2024E0CPZ		2.6		0.37		0.5	1			1.2 (2.6)		
CFW100040S2024E0CPZ		4.0		0.75		1	1	161 (6.3)	120 (4.7)	0.7 (1.5)		
200-240 V	Single phase	CFW100073S2024E0CPZ	7.3			1.5	2	2	191 (7.5)	120 (4.7)	82 (3.2)	1.0 (2.2)
		CFW100100S2024E0CPZ	10			2.2	3	3	1.2 (2.6)			
		CFW100016T2024E0CPZ	1.6			0.18	0.25	1	132 (5.2)	100 (3.9)		1.0 (2.2)
		CFW100026T2024E0CPZ	2.6			0.37	0.5	1				1.2 (2.6)
		CFW100040T2024E0CPZ	4.0			0.75	1	1	161 (6.3)	120 (4.7)		0.7 (1.5)
		CFW100073T2024E0CPZ	7.3			1.5	2	1	132 (5.2)	100 (3.9)		1.0 (2.2)
	CFW100100T2024E0CPZ	10.0		2.2	3	2	1.2 (2.6)					
	Three phases 1)		CFW100152T2024E0CPZ	15.2		4	5	3	191 (7.5)	120 (4.7)	1.0 (2.2)	
											1.2 (2.6)	

Note: 1) CE Certification pending.

Dimensions and Weight

Model	Standard frame size					Cold plate version					Braking IGBT
	Frame size	Dimensions mm (in)			Weight kg (lb)	Frame size	Dimensions mm (in)			Weight kg (lb)	
		H	W	D			H	W	D		
CFW100016S1112	1	95	132	121	0.9	1	95	132	82	0.7	No
CFW100026S1112		(3.74)	(5.20)	(4.76)	(1.98)		(3.74)	(5.20)	(3.23)	(1.54)	
CFW100040S1112	2	115	161	122	1.5	2	115	161	82	1.0	Yes
CFW100016S2024	1	95	132	121	0.9	1	95	132	82	0.7	No
CFW100026S2024		(3.74)	(5.20)	(4.76)	(1.98)		(3.74)	(5.20)	(3.23)	(1.54)	
CFW100040S2024											
CFW100073S2024	2	115	161	122	1.5	2	115	161	82	1.0	Yes
CFW100100S2024	3	115	191	122	1.8	3	115	191	82	1.2	
CFW100016T2024	1	95	132	121	0.9	1	95	132	82	0.7	No
CFW100026T2024		(3.74)	(5.20)	(4.76)	(1.98)		(3.74)	(5.20)	(3.23)	(1.54)	
CFW100040T2024											
CFW100073T2024											
CFW100100T2024	2	115	161	122	1.5	2	115	161	82	1.0	Yes
CFW100152T2024	3	115	191	122	1.8	3	115	191	82	1.2	
		(4.53)	(6.34)	(4.80)	(3.31)		(4.53)	(6.34)	(3.23)	(2.20)	
		(4.53)	(7.52)	(4.80)	(3.96)		(4.53)	(7.52)	(3.23)	(2.65)	
		(3.74)	(5.20)	(4.76)	(1.98)		(3.74)	(5.20)	(3.23)	(1.54)	
		(4.53)	(6.34)	(4.80)	(3.31)		(4.53)	(6.34)	(3.23)	(2.20)	
		(4.53)	(7.52)	(4.80)	(3.96)		(4.53)	(7.52)	(3.23)	(2.65)	

Technical Data

Model		CFW10 Standard	CFW10 Clean	CFW10 plus
Power supply	Voltage	Single phase	110 - 127 V ac: 110 / 127 V ac (+10%, -15%)	
		Single phase or Three phases	200 - 240 V ac (+10%, -15%)	
	Frequency		50 / 60 Hz, +/- 2 Hz (48 - 62 Hz)	
	cos φ (displacement power factor)		> 0.98	
Enclosure	Degree of protection		IP20	
Control	Power supply		Switched mode power supply	
	Control method		Sinusoidal PWM modulation (space vector modulation), linear or quadratic V/f	
	Switching frequency		Frequencies: from 2.5 kHz to 15 kHz	
	Output frequency		0 - 300 Hz	
	Frequency setting resolution		Analog ref.: 0.1% of max. frequency and digital ref.: 0.01 Hz (f<100 Hz); 0.1 Hz (f>100 Hz)	
Performance	Output frequency accuracy		Analog ref.: 0.5% digital ref.: 0.01%	
	Overload capacity		150% during 60s every 10min.	
Control inputs	Analog	1 programmable isolated input 0 - 10 V dc, 0 - 20 mA or 4 - 0 mA	-	1 programmable isolated input 0 - 10 V dc, 0 - 20 mA or 4 - 0 mA
	Digital	4 programmable isolated inputs 12 V dc		
Control outputs	Relay	1 programmable output, form C contacts (NO/NC)	-	1 programmable output, form C contacts (NO/NC)
		Programming options: Is > Ix; Fs > Fx; Fe > Fx; Fs = Fe; Run; No Fault		
Safety	Protections	DC link overvoltage / undervoltage		
		VSD overtemperature		
		Keypad connection fault		
		Motor overload (i x t)		
		CPU error (watchdog), external fault		
		Output short-circuit		
Keypad	Programming	Start/stop		
	Commands	Parameters setting		
		Frequency UP/down (speed)		
	Monitoring	-	-	Variable speed potentiometer
		Motor output frequency (Hz)		
		DC link voltage (V dc)		
		Value proportional to the frequency (e.d.: rpm)		
		Heatsink temperature		
Output current (Amps)				
Output voltage				
Fault indication				
Ambient	Temperature	Models up to 10 A: 0 ... 50 °C (32 ... 122 °F) without derating 15.2 A model: 0 ... 40 °C (32 ... 104 °F) without derating		
	Humidity	5 ... 90% non-condensing		
	Altitude	0 ... 1,000 m (3,300 ft), up to 4,000 m (13,100 ft) with 1%/100 m (3%/1,000 ft) output current derating		
Enclosure	Color		Opaque gray - WEG development 205E1404	
Conformities	Electromagnetic compatibility		EMC directive 89 / 336 / EEC EN 61800-3	
	Low voltage		LVD 73/23/EEC - low voltage directive / UL 508C	
Features	Standard	Keypad with 7-segment LED display		
		Password to protect VSD programming		
		Self-diagnosis fault and auto-reset		
		Motor slip compensation		
		Manual and automatic torque boost (I x R)		
		Linear and "S" acceleration ramp, two sets of ramps		
		JOG function		
		DC braking		
		Multi-speed function (up to 8 programmable speeds)		
		Forward/reverse speed selection via DI		
Local/remote reference selection via DI				

Coding



1 - CFW10 VSD series

2 - Output rated current:

110-127 V		200-240 V	
0016	1.6 A	0016	1.6 A
0026	2.6 A	0026	2.6 A
0040	4.0 A	0040	4.0 A
		0073	7.3 A
		0100	10.0 A
		0152	15.2 A

* Three-phase model only.

3 - Number of phases

S = single phase
T = three phases

4- Power supply voltage

1,112 = 110 - 127 V (single-phase only)
2,024 = 200 - 240 V

5 - Manual language

P = portuguese
E = english
S = spanish

6 - Options

S = standard (no optionals)
O = with optionals

7 - Control card

Blank = standard
CL = clean (without analog input and relay output)
PL = plus (with potentiometer)

8- EMC filter

Blank = without filter
FA = with built-in class A EMC filter
(only 200 - 240 V single-phase models)

9 - Special hardware

Blank = standard (no special hardware)
Hx = special hardware in version X
CP = Cold Plate heatsink version

10 - Special software

Blank = standard (no special software)
Sx = special software in version X

11 - End of code

Ex.: CFW100040S2024ESZ VSD of CFW10 series, 4.0 A, single -phase at 200 - 240 V ac and manual in english.

WEG Worldwide Operations

ARGENTINA

WEG EQUIPAMIENTOS
ELECTRICOS
San Francisco - Cordoba
Phone: +54 3564 421 484
info-ar@weg.net
www.weg.net/ar

WEG PINTURAS - Pulverlux
Buenos Aires
Phone: +54 11 4299 8000
tintas@weg.net

AUSTRALIA

WEG AUSTRALIA
Victoria
Phone: +61 3 9765 4600
info-au@weg.net
www.weg.net/au

AUSTRIA

WATT DRIVE - WEG Group
Markt Piesting - Vienna
Phone: +43 2633 404 0
www.wattdrive.com
www.wattdrive.com

BELGIUM

WEG BENELUX
Nivelles - Belgium
Phone: +32 67 88 84 20
info-be@weg.net
www.weg.net/be

BRAZIL

WEG EQUIPAMENTOS ELÉTRICOS
Jaraguá do Sul - Santa Catarina
Phone: +55 47 3276-4002
info-br@weg.net
www.weg.net/br

CHILE

WEG CHILE
Santiago
Phone: +56 2 784 8900
info-cl@weg.net
www.weg.net/cl

CHINA

WEG NANTONG
Nantong - Jiangsu
Phone: +86 0513 8598 9333
info-cn@weg.net
www.weg.net/cn

COLOMBIA

WEG COLOMBIA
Bogotá
Phone: +57 1 416 0166
info-co@weg.net
www.weg.net/co

ECUADOR

WEG ECUADOR
Quito
Phone: 5144 339/342/317
wegecuador@weg.net
www.weg.net/ec

FRANCE

WEG FRANCE
Saint Quentin Fallavier - Lyon
Phone: +33 4 74 99 11 35
info-fr@weg.net
www.weg.net/fr

GERMANY

WEG GERMANY
Kerpen - North Rhine Westphalia
Phone: +49 2237 9291 0
info-de@weg.net
www.weg.net/de

GHANA

ZEST ELECTRIC GHANA
WEG Group
Accra
Phone: +233 30 27 664 90
info@zestghana.com.gh
www.zestghana.com.gh

INDIA

WEG ELECTRIC INDIA
Bangalore - Karnataka
Phone: +91 80 4128 2007
info-in@weg.net
www.weg.net/in

WEG INDUSTRIES INDIA
Hosur - Tamil Nadu
Phone: +91 4344 301 501
info-in@weg.net
www.weg.net/in

ITALY

WEG ITALIA
Cinisello Balsamo - Milano
Phone: +39 02 6129 3535
info-it@weg.net
www.weg.net/it

JAPAN

WEG ELECTRIC MOTORS
JAPAN
Yokohama City - Kanagawa
Phone: +81 45 550 3030
info-jp@weg.net
www.weg.net/jp

MALAYSIA

WATT EURO-DRIVE - WEG Group
Shah Alam, Selangor
Phone: 603 78591626
info@wattdrive.com.my
www.wattdrive.com

MEXICO

WEG MEXICO
Huehuetoca
Phone: +52 55 5321 4231
info-mx@weg.net
www.weg.net/mx

VOLTRAN - WEG Group

Tizayuca - Hidalgo
Phone: +52 77 5350 9354
www.voltran.com.mx

NETHERLANDS

WEG NETHERLANDS
Oldenzaal - Overijssel
Phone: +31 541 571 080
info-nl@weg.net
www.weg.net/nl

PERU

WEG PERU
Lima
Phone: +51 1 209 7600
info-pe@weg.net
www.weg.net/pe

PORTUGAL

WEG EURO
Maia - Porto
Phone: +351 22 9477705
info-pt@weg.net
www.weg.net/pt

RUSSIA and CIS

WEG ELECTRIC CIS
Saint Petersburg
Phone: +7 812 363 2172
info-ru@weg.net
www.weg.net/ru

SOUTH AFRICA

ZEST ELECTRIC MOTORS
WEG Group
Johannesburg
Phone: +27 11 723 6000
info@zest.co.za
www.zest.co.za

SPAIN

WEG IBERIA
Madrid
Phone: +34 91 655 30 08
info-es@weg.net
www.weg.net/es

SINGAPORE

WEG SINGAPORE
Singapore
Phone: +65 68589081
info-sg@weg.net
www.weg.net/sg

SCANDINAVIA

WEG SCANDINAVIA
Kungsbacka - Sweden
Phone: +46 300 73 400
info-se@weg.net
www.weg.net/se

UK

WEG ELECTRIC MOTORS U.K.
Redditch - Worcestershire
Phone: +44 1527 513 800
info-uk@weg.net
www.weg.net/uk

UNITED ARAB EMIRATES

WEG MIDDLE EAST
Dubai
Phone: +971 4 813 0800
info-ae@weg.net
www.weg.net/ae

USA

WEG ELECTRIC
Duluth - Georgia
Phone: +1 678 249 2000
info-us@weg.net
www.weg.net/us

ELECTRIC MACHINERY

WEG Group
Minneapolis - Minnesota
Phone: +1 612 378 8000
www.electricmachinery.com

VENEZUELA

WEG INDUSTRIAS VENEZUELA
Valencia - Carabobo
Phone: +58 241 821 0582
info-ve@weg.net
www.weg.net/ve

For those countries where there is not a WEG own operation, find our local distributor at www.weg.net.



WEG Group - Automation Business Unit
Jaraguá do Sul - SC - Brazil
Phone: +55 47 3276 4000
automacao@weg.net
www.weg.net

