

NorthStar, a Dynapar brand, is a recognized brand and international leader in magneto-resistive technology and mill-duty industrial applications.

For more than 30 years, **NorthStar** has specialized in meeting the needs of the industrial community with a proven and time tested line of heavy-duty magneto-resistive incremental encoders and pulse tachs.



RIM Tach NexGen Series:

- ✓ Ductile cast iron housings
- ✓ Replaceable stainless steel sensor modules
- ✓ Best in class wheel designs

New magnetic design delivers:

- ✓ **NEW!** 70-thousandths air gap
The largest air gap in the industry!
- ✓ **NEW!** Diagnostic LED indicator
- ✓ **NEW!** Increased resolutions to 2048

Paper Mill Application

©iStockPhoto/Dynapar

More Products by NorthStar...



Harsh-Duty Optical Incremental Encoders
with Washdown Resistance and ATEX Certification

- Extreme shock and vibration resistance
 - Extreme corrosion & washdown resistant stainless & nickel plated models
 - Hazardous environment ATEX certification and intrinsically safe operation
- HD20
 - HD25
 - HSD35
 - HSD23
 - HSD38
 - DWD38

Learn more at www.dynapar.com

Magneto-Resistive Incremental Encoders & Pulse Tachs
Time-Tested & Proven Legacy of Rugged Performance

- Large motor, C-Face mount & Hollowshaft
 - High performance velocity and position feedback in extreme environments
 - Industry-leading resolution - up to 2048 PPR
- SLIM Tach Series**
 - HS56
 - HS60
 - SL56
 - RL67
 - SL85
 - SLI250

Learn more at www.dynapar.com

You've got a tough environment...
We've got a **TOUGH encoder**



Steel Mill Application

©iStockPhoto/Dynapar

NorthStar RIM Tach NexGen
Series of Digital Tachometers

Designed to perform in heavy-duty applications



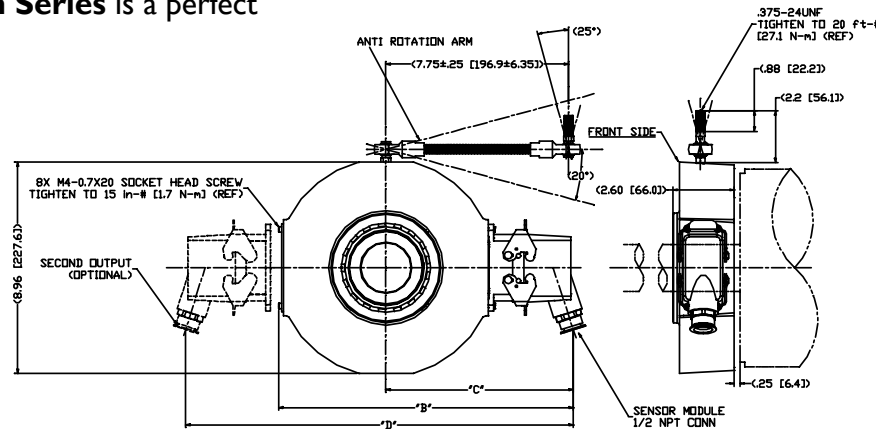
1675 Delany Rd.
Gurnee, IL 60031
Toll Free: 1.800.873.8731
www.dynapar.com



NorthStar RIM Tach® NexGen Series of Digital Tachometers

The **RIM Tach** product line was specifically designed over 20 years ago to provide high-performance velocity and position feedback for AC and DC motor and drive control systems. Modern mill processes require more forgiving installations to accommodate for variations in shaft concentricities, as well as C-face bracket fits and higher resolutions to meet the demands of today's high performance drives.

Dynapar continually innovates to meet industry demand with product re-design and engineering processes. The **NorthStar RIM Tach NexGen Series** is a perfect example of mill-duty technology at its finest.



Contact Dynapar today toll free at **1.800.873.8731** to learn more about upgrading your digital tachs! The NexGen RIM Tach sensor module and wheel are reverse compatible with previous RIM Tach series generations.

 The NEW! NorthStar HS85 NexGen coming soon!
www.dynapar.com

NorthStar RIM Tach® 6200 NexGen

Features:

- Largest non-contact sensing gap available on the market (70-thousandths)
- Stainless steel and ductile cast iron construction
- Active LED with diagnostics
- Foot-mounted or 56 C-face mount ideal for "Flower Pot" or belt drive applications
- Extra heavy duty bearings for long life

Industries:

- Pulp and Paper
- Steel Mills

Compare this encoder to the AV485



Benefits:

- Quick, easy installation on vector motors
- More reliable signal for demanding applications and high performance drives
- LED allows precise troubleshooting during installation and operation, preventing unscheduled downtime

Applications:

The NorthStar RIM Tach 6200 NexGen is a severe-duty encoder specifically designed to meet the needs of process industries, providing the most reliable, mechanical, electrical, and environmental features available in digital tachometers today.

LOOKING FOR A DISTRIBUTOR?

Contact Dynapar toll free at **1.800.873.8731** or visit our website at www.dynapar.com.

NorthStar RIM Tach® 8500 NexGen

Features:

- Largest non-contact sensing gap available on the market (70-thousandths)
- Higher resolutions to 2048
- Active LED with diagnostics
- New wheel lock design
- Protective magnetic wheel edge guard
- C-face mounting

Industries:

- Pulp and Paper
- Steel Mills
- Vector Motor

Compare this encoder to the AV850



Applications:

The NorthStar RIM Tach 8500 NexGen is specifically designed to provide high performance velocity and position feedback for **AC and DC motor and drive control systems**.

LOOKING FOR A DISTRIBUTOR?

Contact Dynapar toll free at **1.800.873.8731** or visit our website at www.dynapar.com.

NorthStar RIM Tach® 1250 NexGen

Features:

- Largest non-contact sensing gap available on the market (70-thousandths)
- Ductile cast iron construction
- Active LED with diagnostics
- Available shaft sizes from 0.625 to 2.875 to fit a variety of applications
- New wheel design which includes a metal edge guard to protect the magnetic wheel material from accidental strikes

Industries:

- Pulp and Paper
- Steel Mills
- Vector Motor

Compare this encoder to the AV125



Benefits:

- Quick, easy installation on vector motors
- More generous axial play (up to 1/2") when aligning wheel to sensor
- More reliable signal for demanding applications and high performance drives
- LED allows precise troubleshooting during installation and operation, preventing unscheduled downtime

Applications:

The NorthStar RIM Tach 1250 NexGen is designed to provide position and velocity feedback from both AC & DC electric motors.

LOOKING FOR A DISTRIBUTOR?

Contact Dynapar toll free at **1.800.873.8731** or visit our website at www.dynapar.com.